

# Gas Pressure Switch (Variable)

(SGPS-3V) (SGPS-5V) (SGPS-10V) (SGPS-50V) (SGPS-150V) (SGPS-500V) / PN

PRODUCT SPECIFICATION SHEET



## FEATURES

- The gas pressure switch is used to detect the gas.
- This switch has a function to monitor gas pressure in the pipe line of gas.
- This switch has a structure that user can control the setting by himself.
- This switch has a various models of pressure setup.

## CONTENTS

Application .....	1
Features .....	1
Specifications .....	1~2
Dimensions .....	2

## APPLICATION

This gas pressure switch is designed to monitor gas pressure and activate switch contacts accordingly.  
This pressure switch can be used autonomously or integrated into a multifunctional gas control.

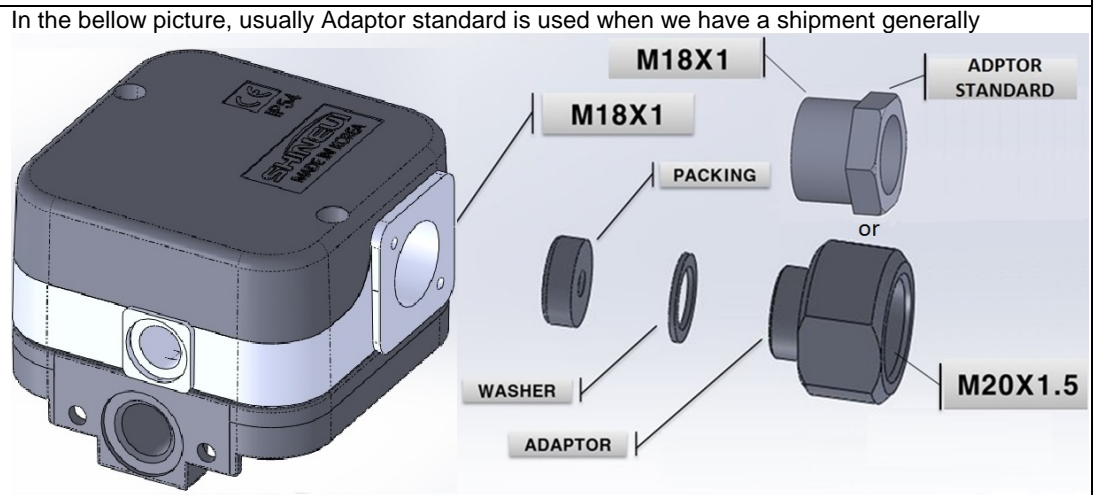
## SPECIFICATIONS

Type	: Adjustable type	
Material	: Body	Al DC
	: Diaphragm	H-NBR
	: Housing	Brass
	: Switch part	Polycarbonate
Ambient temperature	: -15 ~ 60℃	
Electrical rating	: 250VAC 6A(Resistive load)	
Control fluid	POSITIVE : LNG, LPG NEGATIVE : Air	

## SPECIFICATIONS

Model	SGPS-3V /PN	SGPS-5V /PN	SGPS-10V /PN	SGPS-50V /PN	SGPS-150V /PN	SGPS-500V /PN	
Max. Operating pressure	500 mbar					1 bar	
Max. Sustained pressure	500 mbar					1 bar	
Stand pressure setting range	Factory set point (mbar)	0.4 ~ 3.0	0.5 ~ 5	2.0 ~ 10	2.5 ~ 50	30 ~ 150	100 ~ 500
	Switching Difference ( $\Delta P$ )	$\leq 0.3$ mbar	$\leq 0.3$ mbar	$\leq 0.4$ mbar	$\leq 1.5$ mbar	$\leq 5$ mbar	$\leq 13$ mbar
	Adjustable tolerance	$\pm 15\%$					
	Differential	$\pm 15\%$					

Electrical connection

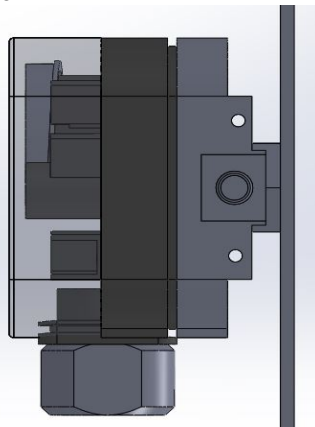


Pressure connection

POSITIVE : BSPF1/4"(PF 1/4" )  
 NEGATIVE : PF1/8 (See dimensions)

Installation Instructions

Standard :Veritical installation(like below picture)  
 According to the angle of the installation, the set point for the pressure move up or move down a little.



Weight

: 198g

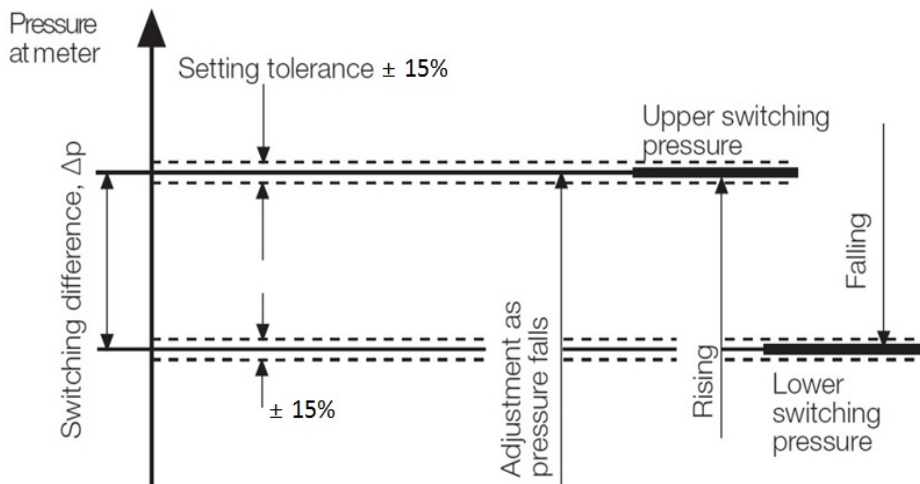
Reference pictures



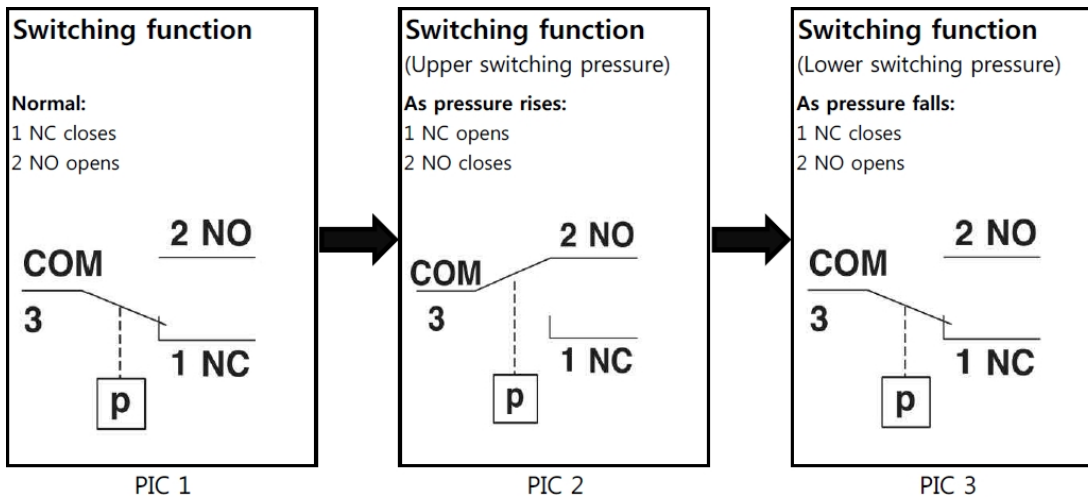
## SCHEMATIC 1

### Definition of switching difference $\Delta p$

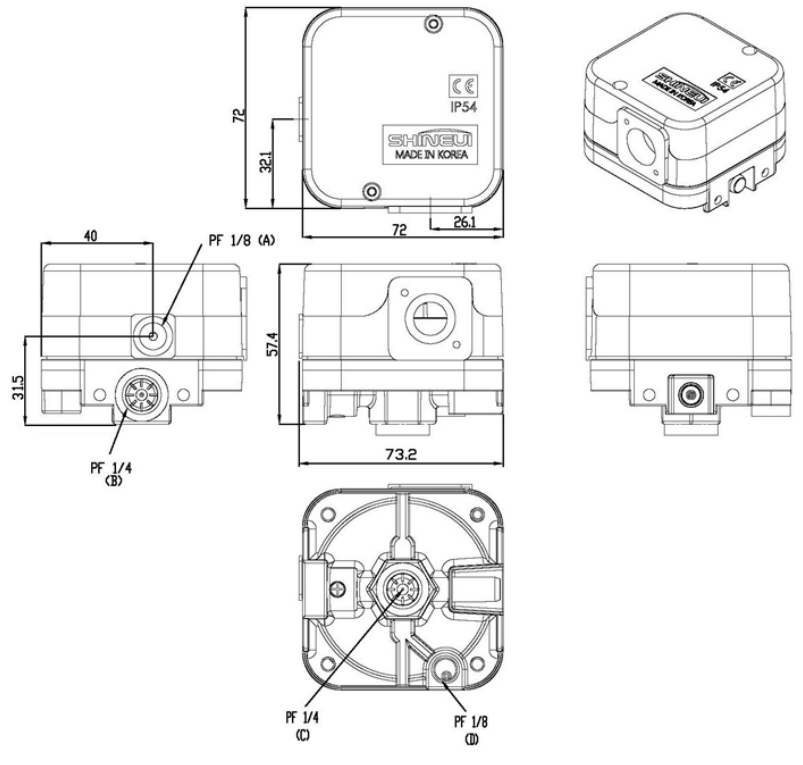
The switching difference  $\Delta p$  is the pressure difference between the upper and lower switching pressures.



## SCHEMATIC 2



# DIMENSIONS



※ NOTICE

**- Holes and screw-thread-shapes -**

A,C : Always opened and shaped

B,D : Depend on Customer's request

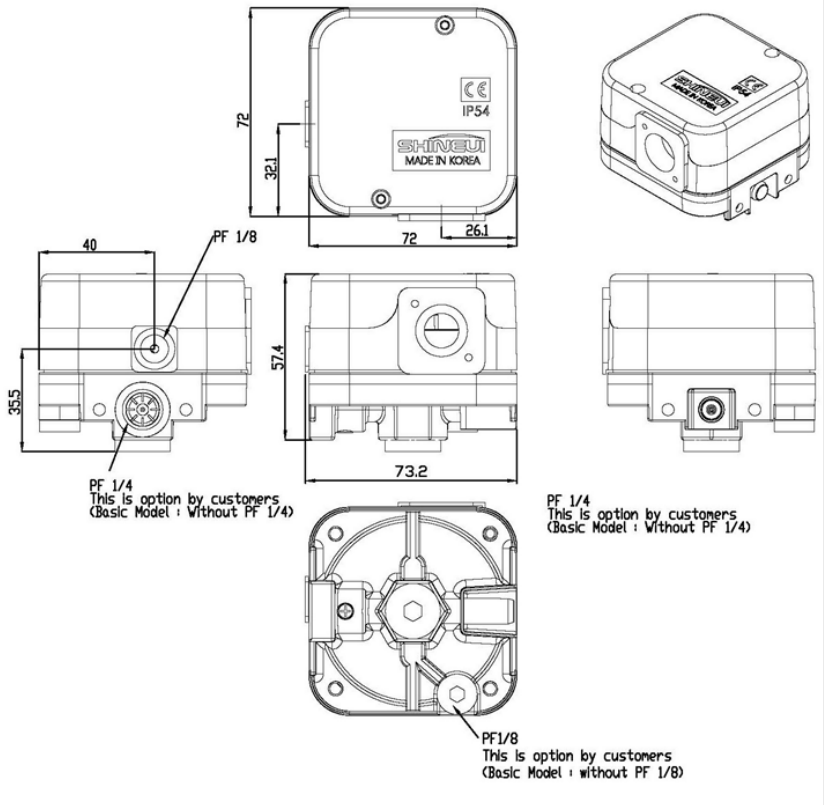


Fig 1. Gas pressure switch(V)

The specifications and dimensions can be changed without warning